

Heavy duty pressure transmitters 225T

Features :

- Pressure ranges 0~15 mbar, 0~420 bar, output signal 4~20 mA, option with HART protocol;
- Combined error 0.2 %fso, 0.5 %fso (standard), media temperature ranges -40 ~ +125 °C;
- Material of pressure diaphragm 316 SS, option 316L, Hastelloy-C;
- Explosive-proof Exd II CT6, protection class IP 65;



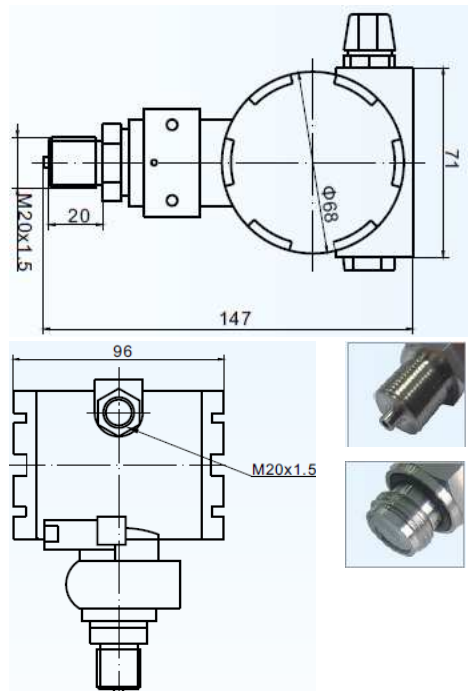
Technical specifications :

Pressure medium	Type I – gas or dilute liquid Type II – viscous fluid or fluid with grains
Range	0÷15/30/50/80/150/250/400/700mbar relative, absolute pressure 0÷1/2/3.5/7/10/15/25/40/70/100bar relative, absolute pressure 0÷160/250/350/420bar relative pressure (standard) Option request ≥ -1bar
Overload pressure	200% fs (≥150mbar), 300% fs (≤80mbar)
Explosive – proof and protection	Exd II CT6, IP 65
Output	4÷20mA (2 wire); option with HART protocol
Accuracy and long - term stability	Accuracy 0.2% fso, 0.5% fso (standard), stability ± 0.15% fso / year
Power supply	12÷36Vdc (depending on the load resistance)
Isulation resistance	>500MΩ@100V
Load resistance	250÷1150Ω
Temperature coefficient	±0.1% fso / 10°C
Process connection	Type I – M20x1.5 (standard), type II –G1/2, option other
Electrical connection	Inner thread – M20x1.5 (standard), 1/2NPT
Materials	Diaphragm-stainless, hastelloy-C; weted parts-stainless; housing aluminium
Display	4½ LCD
Operating temperature	-40÷125°C

Order code: 225T-□□□(□□□, □□□, □□□)-□□□-□□□-□□□-□□□-□□□-□□□

Dimension (mm):

Range	xxx	mbar relative/absolute pressure, see above table and eg.*
	yyy	bar relative/absolute pressure, see above table and eg.*
	zzz	bar relative pressure, see above table and eg.*
	vvv	Negative pressure ≥ -1bar*
Output	I	4 – 20 mA (2 wire)
	II	Option HART protocol
Accuracy	020	0.20%
	050	0.5% (standard)
Process connection	I	Type I, M20x1.5 (standard)
	II	Type II, G ½
	III	Other request
Electrical connection	0	M20x1.5 (standard)
	1	1/2NPT
Materials connection	I	Stainless steel
	H	Hastelloy-C



* - eg : 15: 0-15mbar; 2: 0-2bar;